

Glazed partition system

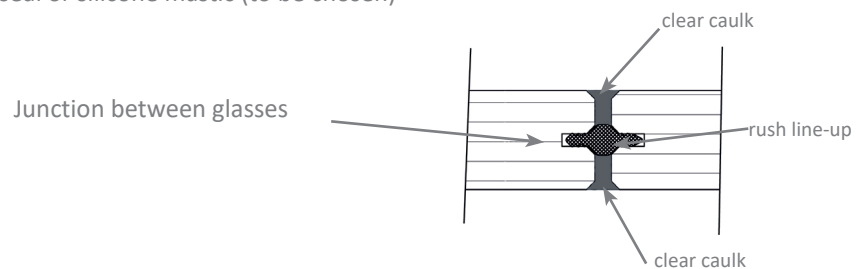
GSP-1119-E/B



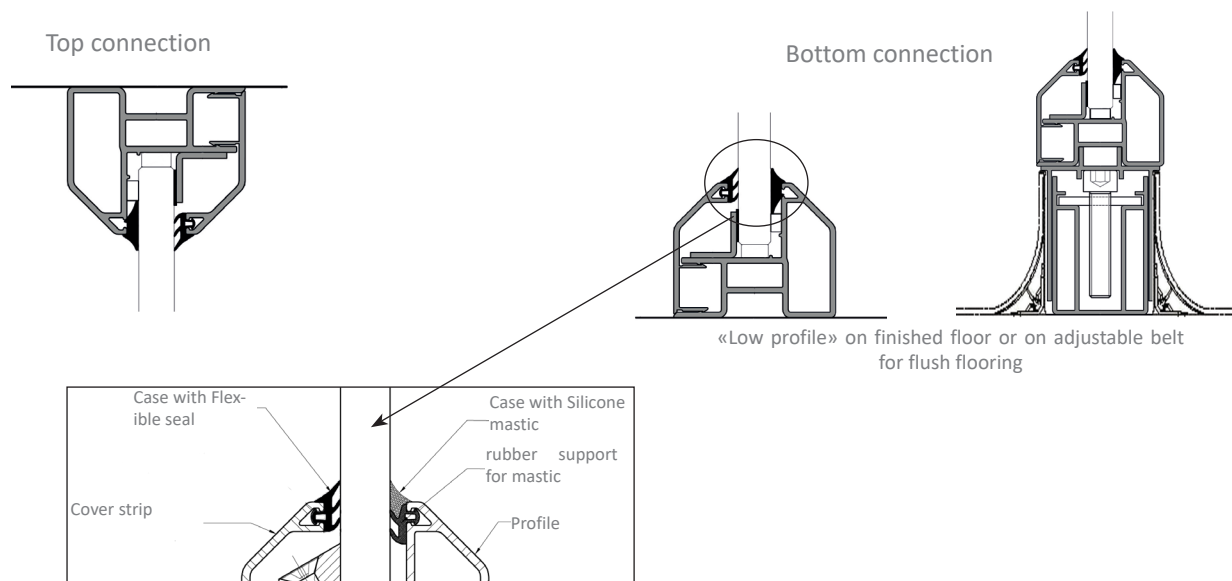
Fully glazed partition system, tight and easy to clean, specifically dedicated for clean room walls, any application.

Composition

- Top and bottom lacquered aluminium profiles colour white or on request, option stainless steel.
- Central tempered glass thickness 12 mm (0.5"), full height.
maximum height between 2.7 m (8.9') and 3 m (9.8') according to the configuration of glasses.
- Flush and tight gasket between glasses.
- Between profiles and glasses, flexible seal or silicone mastic (to be chosen)
- No combustible

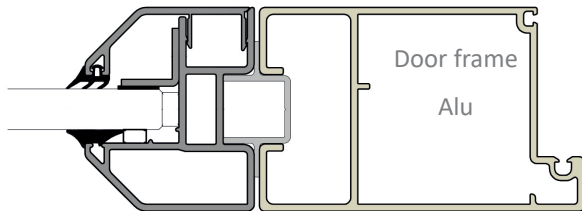


Installation



Various connections

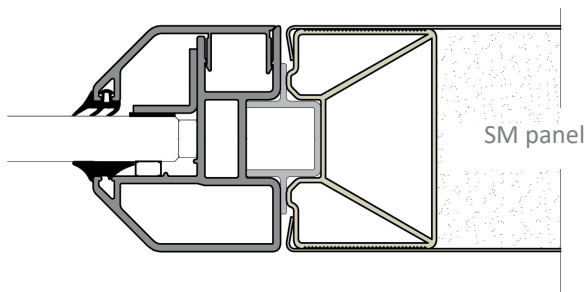
- full or glazed doors



- mullions



- junction with full panels



- 90° junction

