

The Dagard "Cleanline" luminaires are specifically designed for use in cleanrooms and clean areas for different activities.

They are recessed (flush mounted from below) in walkable ceilings made of sandwich panels.

Composition

Welded steel structure, White epoxy powder coat finish (close to RAL9010).

- IP65 rated on lower side and IP64 rated on upper side
- High frequency control gear
- Detachable gear tray
- Lamps PLL or LED for energy saving
- TP(a) rated diffusers
- Anti-bacterial coating or Stainless steel in options
- power supply 220-240V AC - 50/60Hz

Options: Integral 3 hours Emergency, HF Dimmable DSI and Dali, toughened glass

Technical characteristics

The small size of the luminaires allows optimization of ceiling coordination (luminaires can be mounted across a ceiling panel). Luminaires CLEANLINE are available to suit panel thicknesses of 60 mm 2.36" to 120 mm 4.72". The metal frame is semi flush on the underside of the ceiling.

Installation is both quick and simple, can be done by one person.

The power is supplied from above with a quick electrical connection, no need to open the box.

One can connect multiple fixtures in parallel with quick couplers T-shaped, the connection time of the assembly is extremely low.


Installation and maintenance are preferably carried out «from above» to maintain the integrity of the Clean Room.

A variant with a front access exists for the case where it doesn't exist a sufficient space in the plenum, and also a variant with «rear and front access».

PLL lamps power and lumens:

Nominal dimension		PLL36	PLL40	PLL55	PLL80
700 x 400 27.6" x 15.7"	power	2x36 W	2x40 W	2x55 W	2x80 W
	lumens	3190 lm	3850 lm	5280 lm	6600 lm

LED power and lumens :



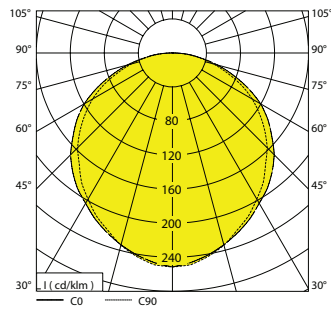
Nominal dimension		L1	L2	L3	L4
700 x 400 27.6" x 15.7"	power	26 W	36 W	45 W	63 W
	lumens	3257 lm	4560 lm	5700 lm	7980 lm

More options available on request refer to the technical file «luminaires».

Photometry

CLEANLINE Performance

PLL



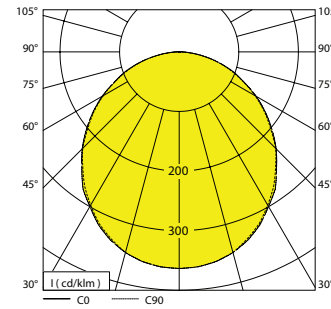
Key performance indicators

$$l/cw = 42$$

$$\text{Power per m}^2/100 \text{ lux} = 3.70 \text{ w}$$

CLEANLINE Performance

LED



Key performance indicators

$$l/cw = 127$$

$$\text{Power per m}^2/100 \text{ lux} = 1.21 \text{ w}$$

SAVING ENERGY AND REDUCING PAYBACK PERIOD

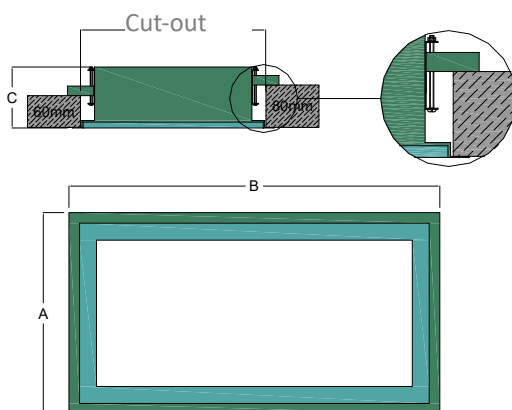
The benefits of LED Cleanline luminaires are :

- Less energy consumed, efficiencies of 127-142 l/cw (luminaire lumens per circuit watt)
- Less luminaires required, saving both luminaire and utilisation cost
- Less CO2 emissions, efficient lighting reduces carbon emissions.
- Less maintenance, LED lifespan can be over 50,000 hours.
- Increasing savings, LED luminaires meet the criteria for ECA (Enhanced Capital Allowances)
- Instant light, LEDs have no 'run-up' period or re-strike delay.
- Durability, LEDs have no fragile tube or filaments.
- Glass & mercury free, the ideal choice for cleanrooms and food safe environments.



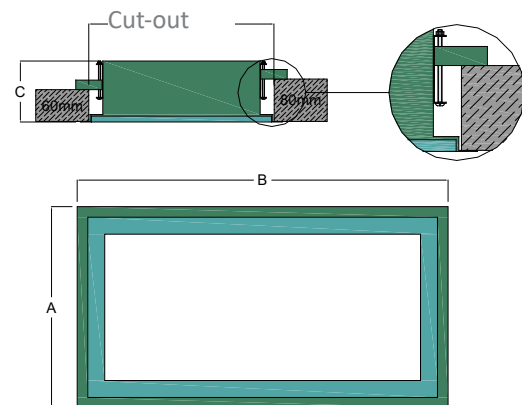
With many pharmaceutical manufacturing environments and hospitals operating 24/7 the energy consumption is dramatically reduced, providing increased cost savings and reducing the payback period.

Installation



CLEANLINE Rear access

A	B	C	Cut-out
380 mm 14.9"	700 mm 27.6"	164 mm 6.5"	350 x 640 mm 13.8" x 25.2"
520 mm 20.5"	700 mm 27.6"	164 mm 6.5"	490 x 640 mm 19.3" x 25.2"



CLEANLINE Front access

A	B	C	Cut-out
380 mm 14.9"	700 mm 27.6"	115 mm 4.5"	350 x 670 mm 13.8" x 26.4"
520 mm 20.5"	700 mm 27.6"	115 mm 4.5"	490 x 670 mm 19.3" x 26.4"

Variant CLEANLINE Front and rear access available on request