

Automatic drop down seal



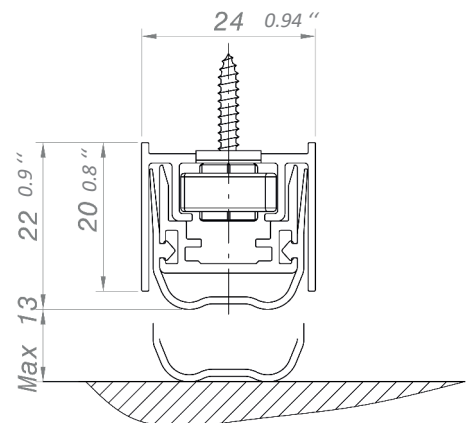
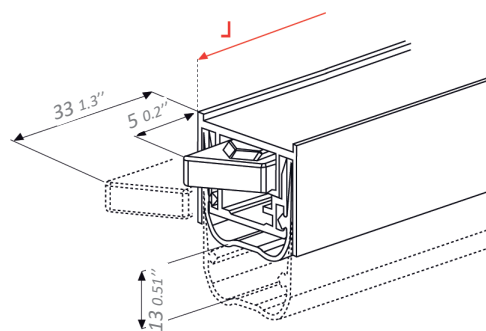
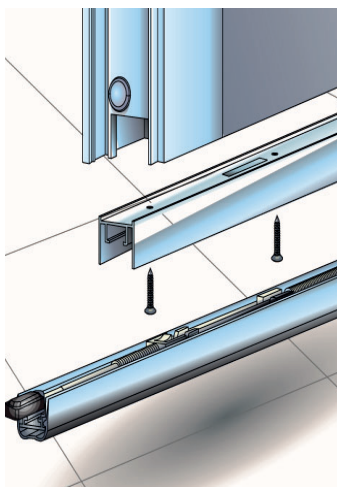
Recessed auto drop-down seal, reversible, to ensure the tightness at bottom of door.
Absolutely no visible, It has an inside mechanism ensuring a pressure on the floor at the closing of the door.
Height adjustable on site.

Self-extinguishing and wear resistant silicone caulk

Supporting joint profile fit with a double spring device, with sequential fall controlled by order button side, allowing the automatic matching with floor.

Easy removing for routine cleaning.

Installation recessed under the door



Surface mounted drop-down seal

Surface mounted auto drop-down seal Plinth to ensure the tightness at bottom of door. It is surface mounted on the door leaf.

